

# EA132H

1.28 T @ 50 MM – 3.95 T @ 5 MM – 213Kg

## DESCRIPTION

**Lighweight and Powerfull H-Frame Laboratory Electromagnet with removable pole cap**

### Performances

Weight	213 Kg
Maximum Continuous Field	3.95 T @ 5mm gap
Distance between coils	94 mm
Temp. Max	45°C
Water Cooling	10 L/min
Resistance @ 20°C	0.500 Ohm
Inductance	174 mH

## OPTIONS

- Special pole caps (cylindrical, conical, drilled poles etc.)
- 45° chassis
- Rotating base (manual/motorized)
- Custom Coils
- AC modulation coils

## POWER SUPPLY

We propose 4 standards power supplies:

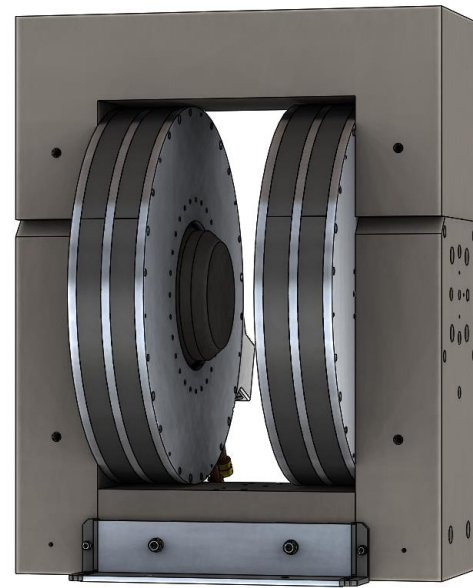
140A / 85V

120A / 70V

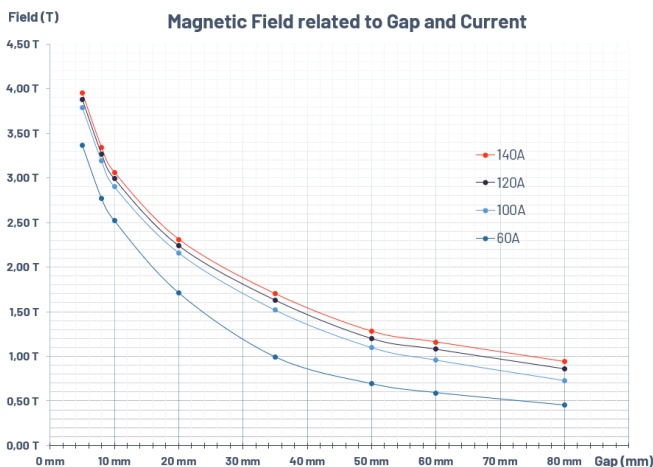
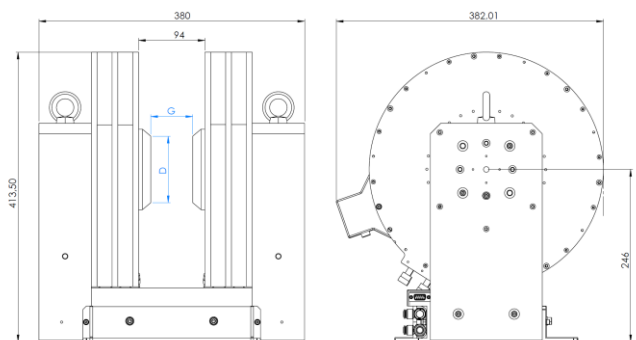
100A / 60V

60A / 35V

Options: 10ppm / 5ppm/ 1ppm / HALL Gaussmeter integrated / Hall Regulator / Bipolar 4 quadrants



## DIMENSIONS



### Poles Field and Homogeneity

Gap G	B Max	Face D	Homogeneity / Volume
5 mm	3.95 T	10 mm	2.99% / 3x3x3 mm
8 mm	3.34 T	15 mm	2.28% / 5x5x5 mm
10 mm	3.06 T	20 mm	2.38% / 8x8x8 mm
20 mm	2.31 T	40 mm	1.27% / 10x10x10 mm
35 mm	1.70 T	70 mm	1.26% / 15x15x15 mm
50 mm	1.28 T	95 mm	0.51% / 15x15x15 mm
60 mm	1.16 T	95 mm	0.74% / 15x15x15 mm
80 mm	0.94 T	95 mm	0.90% / 15x15x15 mm